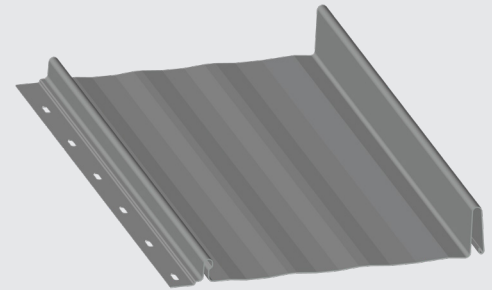




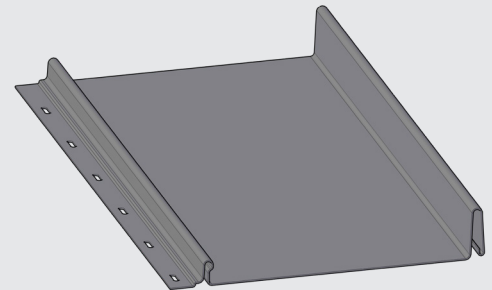
**ALCAN PRODUCTS**

Due to its long, sleek lines, the Quik-Lock panel is a hidden fastening roof system that gives any roof a clean, long-lasting finish. Quik-Lock can be used for both roof and wall applications. This panel system offers reliable standing seam performance while remaining a cost-effective alternative for a variety of projects. Notching is available upon request.

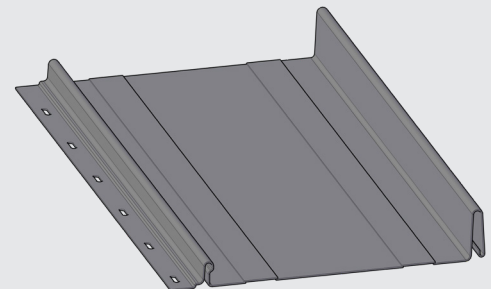
# QUIK LOCK 1.5



**Striations**



**Plain**

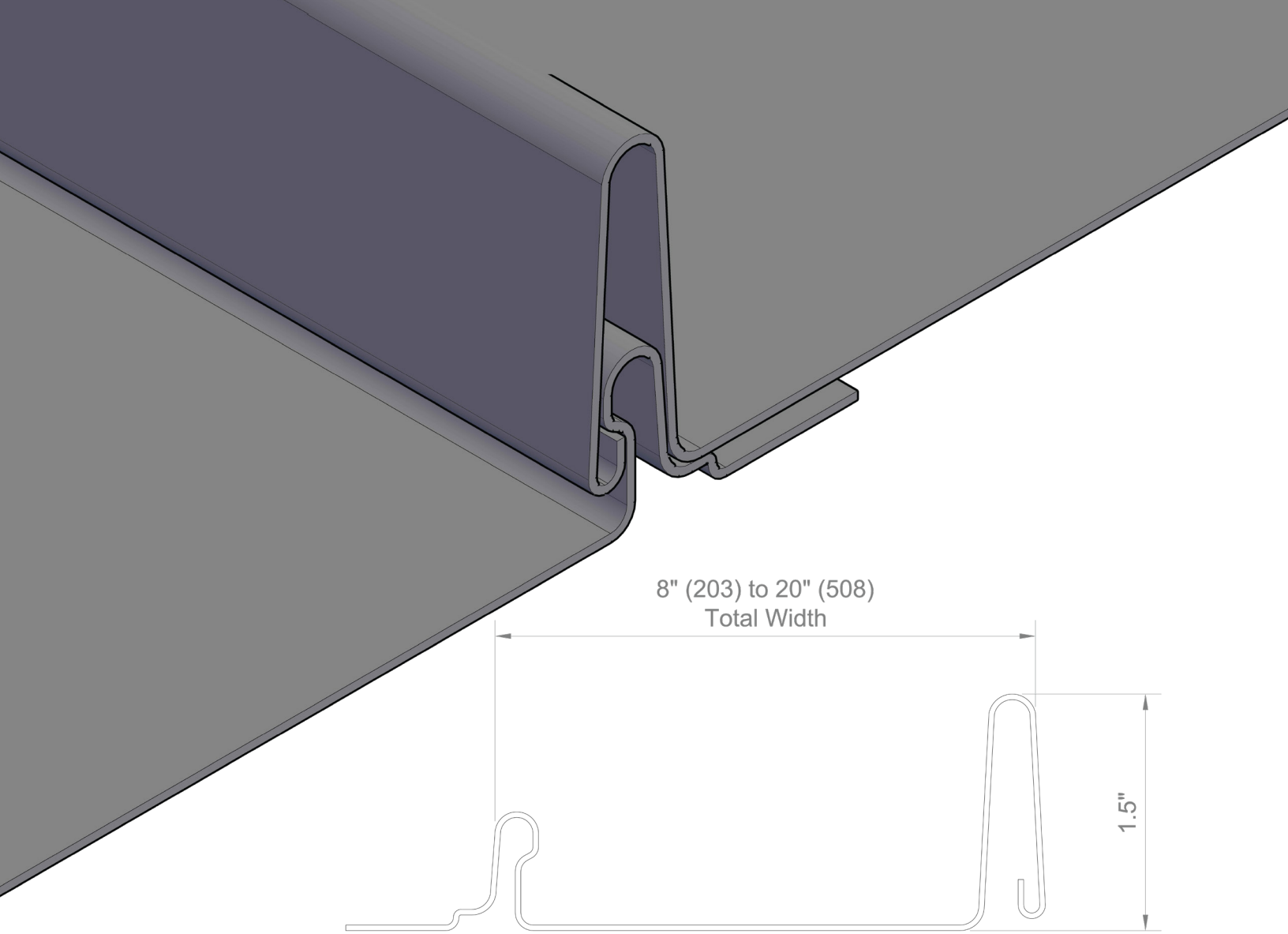


**Twin Ribs**



ROOFING CONTRACTORS  
ASSOCIATION OF  
BRITISH COLUMBIA

(604) 589-8888 | [sales@alcanproducts.ca](mailto:sales@alcanproducts.ca)  
[www.alcanproducts.ca](http://www.alcanproducts.ca)



8" (203) to 20" (508)  
Total Width

1.5"

<b>Application</b>	<b>Recommended Roof Slope</b>	<b>Panel Gauges</b>
Roof & Wall	Greater than 3:12	26 Ga, 24 Ga
<b>Walls</b>	<b>Roof</b>	<b>Minimum Length</b>
5/8" Standard Plywood Minimum	1/2" Standard Plywood Minimum	36"
<b>Fastener Options</b>	<b>Standard Coverage</b>	<b>Rib Height</b>
Hidden Fastener	11", 15", 19"	1.5"

Notching Available on all Quik-Lock panels  
 Inquire about other available widths  
 Striations are recommended on panels to minimize the appearance of oil-canning