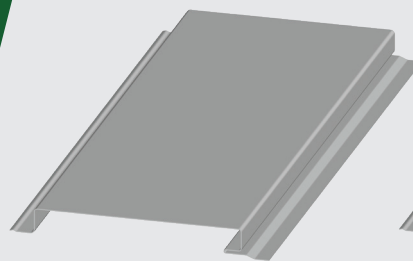
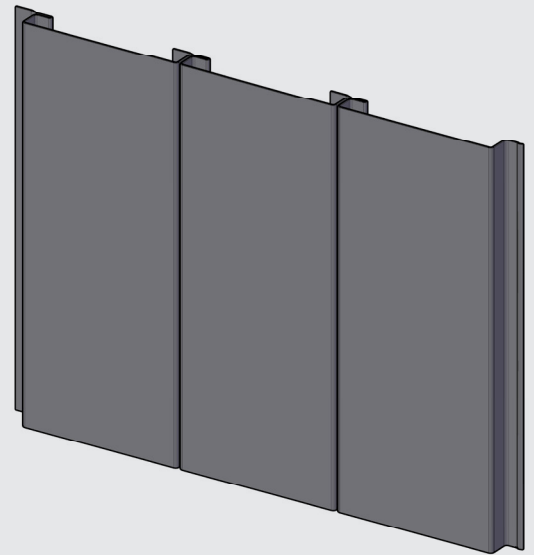




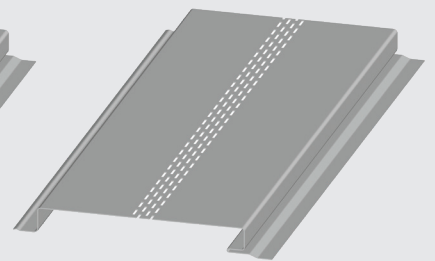
ALCAN PRODUCTS

ULTRA BOARD

Ultra board is a smooth wall/soffit panel with optional perforations that can be installed both horizontally and vertically. This hidden fastener panel comes in a variety of coverages and can be finished flush or up to reveal. Your imagination is the only limit to the profiles and possibilities available. With a one-inch rib and a built-in hidden fastener flange that attaches without clips, the ultra board panel is quick and easy to install.



Plain

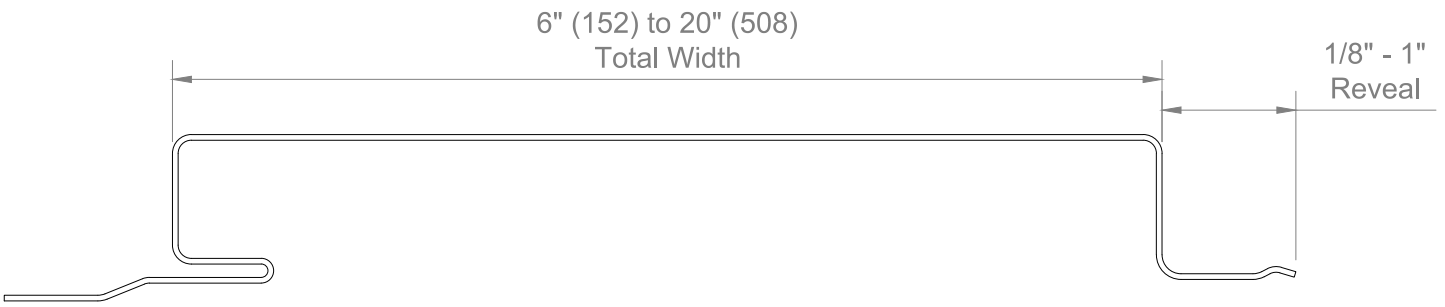
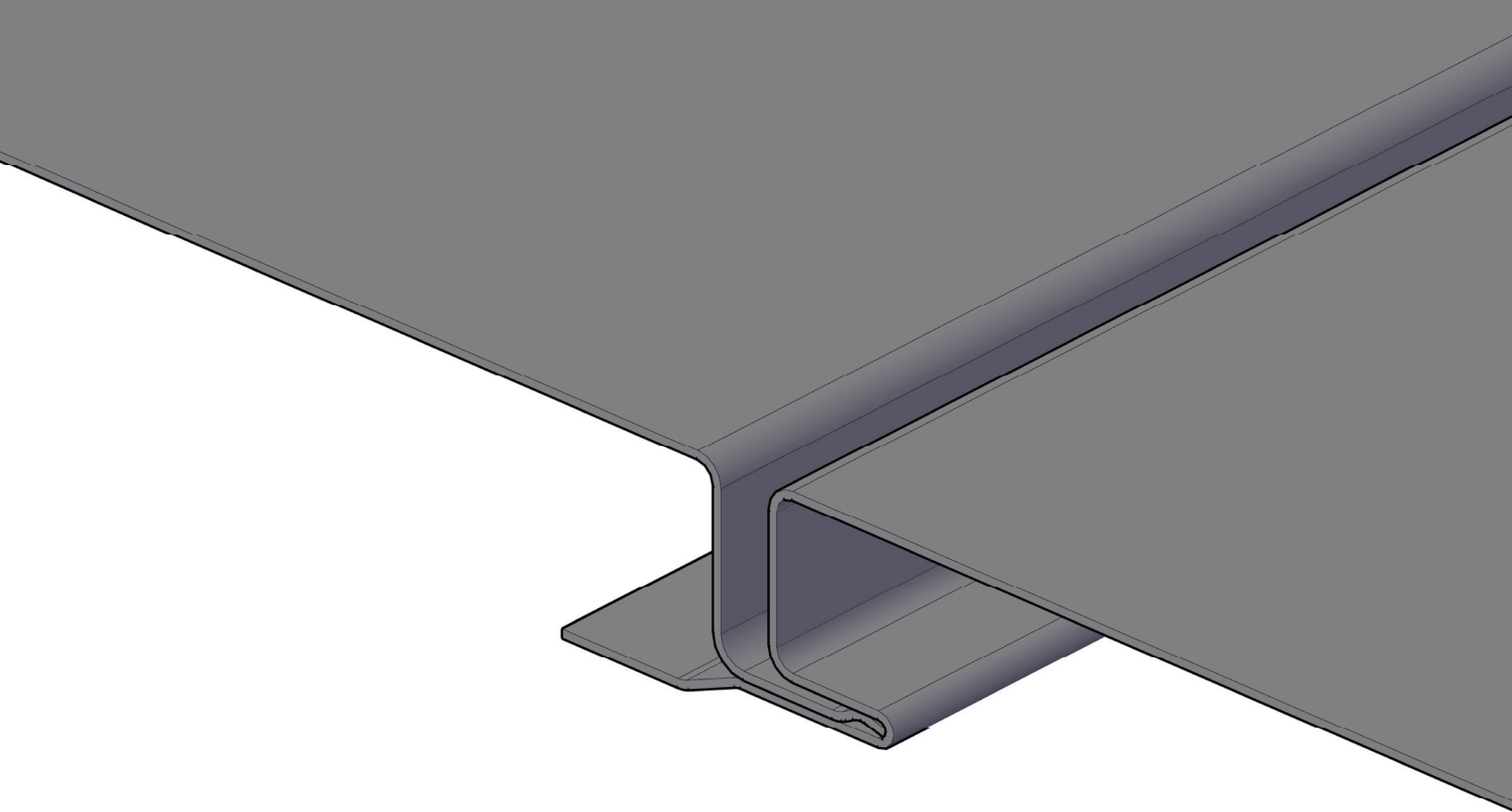


Perforated



ROOFING CONTRACTORS
ASSOCIATION OF
BRITISH COLUMBIA

(604) 589-8888 | sales@alcanproducts.ca
www.alcanproducts.ca



Application	Panel Depth	Panel Gauges
Wall, Soffit, Fascia	1"	26Ga, 24Ga, 22Ga
Wall Substrate	Reveal options	Minimum Length
5/8" Standard Plywood Minimum	Flush Finish or up to 1" reveal	24"
Fastener Options	Standard Coverage	
Hidden Fastener	6", 8", 12", 20"	

Perforation Available on all UltraBoard Panels
 Inquire about other available widths